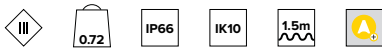
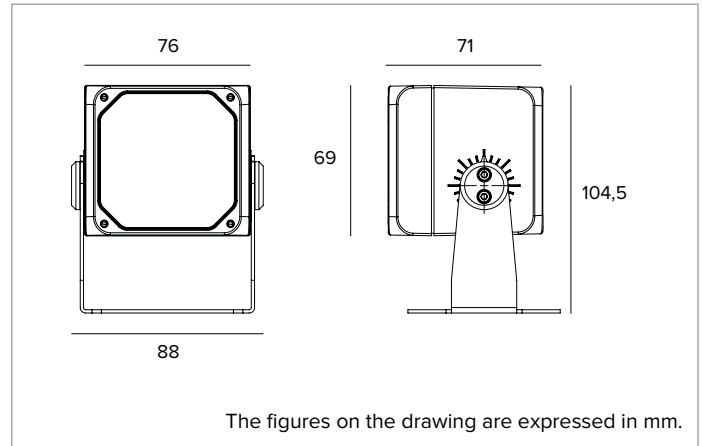


1E2986 | DART Small

Professional adjustable LED projector



| | | | | | | |
|-------|------------------|---------------|--------|------|----------|------|
| | | 3000K | H(m) | D(m) | Emax(lx) | |
| | | Ra80 | | 9° | | |
| | | Fixture Power | 3W | 1 | 0.15 | 4041 |
| | | Source Flux | 200lm | 2 | 0.30 | 1010 |
| | | Fixture Flux | 147lm | 3 | 0.46 | 449 |
| | | Efficacy | 54lm/W | 4 | 0.61 | 253 |
| TS937 | Imax=20203cd/klm | Imax | 4041cd | 5 | 0.76 | 162 |



SOURCE

High efficiency Ra80 LED Emitter.

Energy efficiency class: G

Nominal power: 2,7W

Nominal flux: 200lm

Colour rendering index: 80

Rf: 82.9

Rg: 98.8

CCT nominal: 3000K

SDCM: 2

Lifetime (L80/B10): >50000h tq +25°C

ILLUMINOTECHNICAL CHARACTERISTICS

Equipped with methacrylate lenses.

Optic: LENS

Beam angles: NSP

Optical efficiency: 74%

Fixture flux: 147lm

Luminous efficacy: 54lm/W

Photobiological safety: Compliant with RG1 low risk group

MECHANICAL CHARACTERISTICS

Painted die-cast anodised aluminium body and painted stainless steel mounting bracket. ±20° rotation on the horizontal plane and 0-180° on the vertical plane.

Colour and finish: Ferrite

Weight: 0.72Kg

Degree of protection: IP66

Mechanical Resistance: IK10

ELECTRICAL CHARACTERISTICS

Optional feeding system available with ON-OFF, DALI or 1-10V dimmable electronic driver kit. Pre-cabled with a 1.5m H07RN-F cable.

Fixture Power: 3W

Power supply: 900mA

Insulation Class: CLASS 3

Driver included: NO

Class F: YES

Ambient temperature: -25°C / +35°C

INSTALLATION

Mounting bracket with aiming adjustability.

NOTES

Casambi control system available using a dedicated accessory (only with DALI driver). Uses the "Waterblock Smart" technical solution that involves resin coating the connection cables, limiting the risk of humidity reaching the driver or the fixture. It is possible to subject the product to Cataphoresis treatment on request. 110-277Vac version available on request. Values related to the power consumption of the fixture do not take into account the consumption of the accessory driver, which depends on the choice of driver. Commissioning of the control system via free APP; the intervention of a specialist technician can be quoted on request.

WARRANTY

5 years.

WARNING

Luminaire designed for disposal/recycling at end-of-life. Replaceable (LED only) light source by a professional.

Due to the technological evolution of the electronic components, the data provided may be updated, and as such, confirmation must be requested during the order process.

Luminous flux and power supply have +/-10% tolerances with respect to the indicated value. tq +25°C (CIE 121).

We reserve the right to make technical changes.

Targetti Sankey S.r.l.
Via Pratese, 164
50145 Firenze - Italy
Tel: +39 055 37911
targetti.com
targetti@targetti.com

CCIAA Firenze
Share Capital:
€ 500.000,00
VAT N. (IT):
01537660480
R.E.A: FI-275656

TARGETTI

1E2986 | DART Small

Professional adjustable LED projector

Related codes

Power Supply

| Dimensions LxHxP mm | Power | Power supply | Output current | IP | Code |
|---------------------|------------|--------------------------|----------------|------|-----------------|
| 110x22x52 | 20W 15W | 220-240Vac 110-127Vac | 900mA | IP20 | 1T5295EL |
| 150x40x148 | 20W 15W | 220-240Vac 110-127Vac | 900mA | IP68 | 1E3034EL |

Electronic ON-OFF power supply.

| Dimensions LxHxP mm | Power | Power supply | Output current | IP | Code |
|---------------------|------------|--------------------------|----------------|------|----------------|
| 111x22x52 | 20W 15W | 220-240Vac 110-127Vac | 900mA | IP20 | 1T5295D |
| 220x80x120 | 20W 15W | 220-240Vac 110-127Vac | 900mA | IP68 | 1E3034D |

1-10V power supply.

| Dimensions LxHxP mm | Power | Power supply | Output current | IP | Code |
|---------------------|-------|--------------|----------------|------|-----------------|
| 150x28x42 | 20W | 220-240Vac | 900mA | IP20 | 1T5295DA |
| 220x80x120 | 20W | 220-240Vac | 900mA | IP68 | 1E3034DA |

DALI power supply.

Accessories

Filter



| Ø mm | Code |
|------|---------------|
| 53 | 1E3012 |

Blade of light filter.
PMMA holographic filter for a blade of light effect.
To be completed with a dedicated holder ring.

Grid



| Colour | Code |
|--------|---------------|
| | 1E3014 |

Anti-glare louver.
The central elements may be removed to obtain two different levels of glare control.
Powder coated stainless steel.

Screen



| Colour | Code |
|--------|---------------|
| | 1E3013 |

Asymmetric screen.
Powder coated stainless steel.

Mounting System



| Colour | Code |
|--------|---------------|
| | 1E3015 |

Plate for fixture rotation.
Powder coated stainless steel.



| Dimensions ØxH mm | Colour | Code |
|-------------------|--------|---------------|
| 70x182 | | 1E3016 |

Earthspike.
Powder coated stainless steel.

Due to the technological evolution of the electronic components, the data provided may be updated, and as such, confirmation must be requested during the order process.
Luminous flux and power supply have +/-10% tolerances with respect to the indicated value. tq +25°C (CIE 121).

We reserve the right to make technical changes.

Targetti Sankey S.r.l.
Via Pratese, 164
50145 Firenze - Italy
Tel: +39 055 37911
targetti.com
targetti@targetti.com

CCIAA Firenze
Share Capital:
€ 500.000,00
VAT N. (IT):
01537660480
R.E.A.: FI-275656

TARGETTI

1E2986 | DART Small Professional adjustable LED projector

Holder Ring



| L mm | Colour | Code |
|------|--------|---------------|
| 66 | ● | 1E3011 |

Holder ring.
Powder coated stainless steel.

Connector



| Code |
|---------------|
| 1E2493 |

Linear connection box IP68.
4 poles max. wire section 2.5mm².
Cable diameter range from 7 to 12mm.

Control systems



| Code |
|---------------|
| 1E3048 |

IP67 wireless control unit with DALI interface.
It generates a local DALI2 bus, enabling a direct connection to a DALI interface LED driver.
The module can only be used in a closed system and cannot be connected to an existing DALI network.
The module is wireless controlled using a Casambi app for smartphones and tablets using Bluetooth 5.0 technology.
The devices automatically create an adaptive, robust, and reliable wireless mesh network, allowing for the easy and efficient management of a high number of fixtures.
The control unit is preset to the DALI 1CH profile, meaning the device can control a single DALI driver with broadcast commands.
In addition to the DALI broadcast, other operating modes are available, such as:

- Button (normally open)
- Control unit 0/1-10V
- Control unit DALI Tunable White DT8
- Presence sensor



| Code |
|---------------|
| 1E4369 |

IP67 Extender for wireless control of LED driver with dimming DALI interface based on Casambi technology.
It has a DALI2 output with the capacity to control up to 40 lighting fixtures.
With the addition of a further external BUS DALI power supply it is possible to control up to 64 fixtures.
IP67 Extender is preset to the DALI broadcast profile, meaning all the luminaires connected to it are dimmable at the same level.
In addition to the DALI broadcast other operating modes are available, such as:

- EXTENDER DALI 8CH
- EXTENDER DALI Tunable White
- EXTENDER DALI 4CH
- EXTENDER DALI DT8 Tunable White

Due to the technological evolution of the electronic components, the data provided may be updated, and as such, confirmation must be requested during the order process.
Luminous flux and power supply have +/-10% tolerances with respect to the indicated value. tq +25°C (CIE 121).

We reserve the right to make technical changes.

Targetti Sankey S.r.l.
Via Pratese, 164
50145 Firenze - Italy
Tel: +39 055 37911
targetti.com
targetti@targetti.com

CCIAA Firenze
Share Capital:
€ 500.000,00
VAT N. (IT):
01537660480
R.E.A.: FI-275656

TARGETTI